

Jon Niermann, *Chairman*
Emily Lindley, *Commissioner*
Bobby Janecka, *Commissioner*
Toby Baker, *Executive Director*



TEXAS COMMISSION ON ENVIRONMENTAL QUALITY

Protecting Texas by Reducing and Preventing Pollution

April 17, 2020

MR RICHARD TOWNSEND
VICE PRESIDENT
EAST TEXAS BRIDGE INC
PO BOX 6218
LONGVIEW TX 75608-6218

Re: Consolidated Notice of Application and Intent to Obtain Permit and Notice of Application and Preliminary Decision
Registration under an Air Quality Standard Permit for Concrete Batch Plants
Air Quality Registration Number: 89217L003
Concrete Batch Plant
Texarkana, Bowie County
Customer Reference Number: CN603285024
Regulated Entity Number: RN105751721

Dear Mr. Townsend:

The executive director has completed the administrative and technical reviews of your application and has prepared a preliminary decision.

You are now required to publish notice of your proposed activity. To help you meet the regulatory requirements associated with this notice, we have included the following items:

- Notices for Newspaper Publication (Examples A and B)
- Sign Posting Example (Example C)
- Public Notice Checklist
- Instructions for Public Notice
- Affidavit of Publication for Air Permitting (Form TCEQ-20533) and Alternative Language Affidavit of Publication for Air Permitting (Form TCEQ-20534)
- Web link to download Public Notice Verification Form (refer to Public Notice Instructions)
- Notification List
- Standard Permit General Conditions
- Air Quality Standard Permit for Concrete Batch Plants

Please note that it is **very important** that you follow **all** directions in the enclosed instructions. If you do not, you may be required to republish the notice. A common mistake is the unauthorized changing of notice wording or font. If you have any questions, please contact us before you proceed with publication.

A "Public Notice Checklist" is enclosed which notes the time limitations for each step of the public notice process. **The processing of your application may be delayed if these time limitations are not met (i.e.; submitting proof of publication of the notice within 10 business days after publication, affidavits of publication within 30 calendar days after the date of publication, and public notice verification form within 10 business days after the end of the designated comment period).** This checklist should be used as a tool in conjunction with the enclosed, detailed instructions.

Mr. Richard Townsend
Page 2
April 17, 2020

Re: Registration: 89217L003

If you do not comply with **all** requirements described in the instructions, further processing of your application may be suspended or the agency may take other actions.

If you have any questions regarding publication requirements, please contact the Office of the Chief Clerk at (512) 239-3300. If you have any other questions, please contact Ms. Jennifer Harvey at (512) 239-1429.

Sincerely,

A handwritten signature in cursive script that reads "Bridget C. Bohac".

Bridget C. Bohac
Chief Clerk
Office of the Chief Clerk
Texas Commission on Environmental Quality

Enclosure

cc: Air Section Manager, Region 5 - Tyler

Project Number: 314316



TCEQ Core Data Form

TCEQ Use Only

For detailed instructions regarding completion of this form, please read the Core Data Form Instructions or call 512-239-5175.

SECTION I: General Information

1. Reason for Submission (If other is checked please describe in space provided.)		
<input checked="" type="checkbox"/> New Permit, Registration or Authorization (Core Data Form should be submitted with the program application.)		
<input type="checkbox"/> Renewal (Core Data Form should be submitted with the renewal form)	<input type="checkbox"/> Other	
2. Customer Reference Number (if issued)	Follow this link to search for CN or RN numbers in Central Registry**	3. Regulated Entity Reference Number (if issued)
CN 603285024		RN 105751720

SECTION II: Customer Information

4. General Customer Information	5. Effective Date for Customer Information Updates (mm/dd/yyyy)	03.30.2020	
<input type="checkbox"/> New Customer <input checked="" type="checkbox"/> Update to Customer Information <input type="checkbox"/> Change in Regulated Entity Ownership <input type="checkbox"/> Change in Legal Name (Verifiable with the Texas Secretary of State or Texas Comptroller of Public Accounts)			
<i>The Customer Name submitted here may be updated automatically based on what is current and active with the Texas Secretary of State (SOS) or Texas Comptroller of Public Accounts (CPA).</i>			
6. Customer Legal Name (If an individual, print last name first: eg: Doe, John)		If new Customer, enter previous Customer below:	
East Texas Bridge Inc.			
7. TX SOS/CPA Filing Number	8. TX State Tax ID (11 digits)	9. Federal Tax ID (9 digits)	10. DUNS Number (if applicable)
0800414178	12019252316	201925231	
11. Type of Customer:	<input checked="" type="checkbox"/> Corporation	<input type="checkbox"/> Individual	Partnership: <input type="checkbox"/> General <input type="checkbox"/> Limited
Government: <input type="checkbox"/> City <input type="checkbox"/> County <input type="checkbox"/> Federal <input type="checkbox"/> State <input type="checkbox"/> Other	<input type="checkbox"/> Sole Proprietorship	<input type="checkbox"/> Other:	
12. Number of Employees	13. Independently Owned and Operated?		
<input type="checkbox"/> 0-20 <input type="checkbox"/> 21-100 <input checked="" type="checkbox"/> 101-250 <input type="checkbox"/> 251-500 <input type="checkbox"/> 501 and higher	<input checked="" type="checkbox"/> Yes <input type="checkbox"/> No		
14. Customer Role (Proposed or Actual) – as it relates to the Regulated Entity listed on this form. Please check one of the following			
<input checked="" type="checkbox"/> Owner <input type="checkbox"/> Operator <input type="checkbox"/> Owner & Operator <input type="checkbox"/> Occupational Licensee <input type="checkbox"/> Responsible Party <input type="checkbox"/> Voluntary Cleanup Applicant <input type="checkbox"/> Other:			
15. Mailing Address:	P.O. Box 6218		
City	State	ZIP	ZIP + 4
Longview	TX	75608	
16. Country Mailing Information (if outside USA)		17. E-Mail Address (if applicable)	
		richard@etbridge.com	
18. Telephone Number	19. Extension or Code	20. Fax Number (if applicable)	
(903)553-9669	6	(903)758-2717	

SECTION III: Regulated Entity Information

21. General Regulated Entity Information (If 'New Regulated Entity' is selected below this form should be accompanied by a permit application)	
<input checked="" type="checkbox"/> New Regulated Entity <input type="checkbox"/> Update to Regulated Entity Name <input type="checkbox"/> Update to Regulated Entity Information	
<i>The Regulated Entity Name submitted may be updated in order to meet TCEQ Agency Data Standards (removal of organizational endings such as Inc, LP, or LLC).</i>	
22. Regulated Entity Name (Enter name of the site where the regulated action is taking place.)	
Texas Kona Plant	

23. Street Address of the Regulated Entity: (No PO Boxes)	7760 Alamar Road						
	City	Texarkana	State	TX	ZIP	75501	ZIP + 4
24. County							

Enter Physical Location Description if no street address is provided.

25. Description to Physical Location:						
26. Nearest City	Texarkana		State	TX	Nearest ZIP Code	75501
27. Latitude (N) In Decimal:	33.474741		28. Longitude (W) In Decimal:	-94.149083		
Degrees	Minutes	Seconds	Degrees	Minutes	Seconds	
33	27	14.34	94	09	16.69	
29. Primary SIC Code (4 digits)	30. Secondary SIC Code (4 digits)	31. Primary NAICS Code (5 or 6 digits)		32. Secondary NAICS Code (5 or 6 digits)		
3273	1611	237310		237110		
33. What is the Primary Business of this entity? (Do not repeat the SIC or NAICS description.) Heavy Highway Construction						
34. Mailing Address:	P.O. Box 6218					
	City	Longview	State	TX	ZIP	75608
35. E-Mail Address: richard@ctbridge.com						
36. Telephone Number		37. Extension or Code		38. Fax Number (if applicable)		
(903) 553-9669		6		(903) 758-2717		

39. TCEQ Programs and ID Numbers Check all Programs and write in the permits/registration numbers that will be affected by the updates submitted on this form. See the Core Data Form instructions for additional guidance.

<input type="checkbox"/> Dam Safety	<input type="checkbox"/> Districts	<input type="checkbox"/> Edwards Aquifer	<input type="checkbox"/> Emissions Inventory Air	<input type="checkbox"/> Industrial Hazardous Waste
<input type="checkbox"/> Municipal Solid Waste	<input type="checkbox"/> New Source Review Air	<input type="checkbox"/> OSSF	<input type="checkbox"/> Petroleum Storage Tank	<input type="checkbox"/> PWS
<input type="checkbox"/> Sludge	<input type="checkbox"/> Storm Water	<input type="checkbox"/> Title V Air	<input type="checkbox"/> Tires	<input type="checkbox"/> Used Oil
<input type="checkbox"/> Voluntary Cleanup	<input type="checkbox"/> Waste Water	<input type="checkbox"/> Wastewater Agriculture	<input type="checkbox"/> Water Rights	<input type="checkbox"/> Other:

SECTION IV: Preparer Information

40. Name:	Richard Townsend	41. Title:	Vice President
42. Telephone Number	43. Ext./Code	44. Fax Number	45. E-Mail Address
(903) 553-9669	6	(903) 758-2717	richard@ctbridge.com

SECTION V: Authorized Signature

46. By my signature below, I certify, to the best of my knowledge, that the information provided in this form is true and complete, and that I have signature authority to submit this form on behalf of the entity specified in Section II, Field 6 and/or as required for the updates to the ID numbers identified in field 39.

Company:	East Texas Bridge Inc	Job Title:	Vice President
Name (In Print):	Richard Townsend	Phone:	(903) 553-9669
Signature:	Richard Townsend	Date:	03-29-2020

Texas Commission on Environmental Quality
Form PI-1S
Registrations for Air Standard Permit
(Page 1)

I. Registrant Information			
A. Company or Other Legal Customer Name:			
<i>East Texas Bridge Inc.</i>			
B. Company Official Contact Information (<input checked="" type="checkbox"/> Mr. <input type="checkbox"/> Mrs. <input type="checkbox"/> Ms. <input type="checkbox"/> Other:)			
Name: <i>Richard Townsend</i>			
Title: <i>Vice President</i>			
Mailing Address: <i>P.O. Box 6219</i>			
City: <i>Longview</i>	State: <i>TX</i>	ZIP Code: <i>75608</i>	
Phone: <i>903.553.9669</i>	Fax: <i>903.756.2717</i>		
E-mail Address: <i>richard@etbridge.com</i>			
<i>All permit correspondence will be sent via e-mail.</i>			
C. Technical Contact Information (<input checked="" type="checkbox"/> Mr. <input type="checkbox"/> Mrs. <input type="checkbox"/> Ms. <input type="checkbox"/> Other:)			
Name:			
<i>Same As Above</i>			
Title:			
Company Name:			
Mailing Address:			
City:	State:	ZIP Code:	
Phone:	Fax:		
E-mail Address:			
II. Facility and Site Information			
A. Name and Type of Facility			
Facility Name: <i>Texarkana Concrete Plant (09 Hagoa)</i>			
Type of Facility: <i>Portable Concrete Plant</i>	<input type="checkbox"/> Permanent <input checked="" type="checkbox"/> Temporary		
For portable units, please provide the serial number of the equipment being authorized below.			
Serial No: <i>090421</i>	Serial No: <i>090330</i>		

Texas Commission on Environmental Quality
Form PI-1S
Registrations for Air Standard Permit
(Page 2)

II. Facility and Site Information (continued)	
B. Facility Location Information	
Street Address: <u>7760 Alumax Road</u>	
If there is no street address, provide written driving directions to the site and provide the closest city or town, county, and ZIP code for the site (attach description if additional space is needed).	
City: <u>Texarkana</u>	County: <u>Bowie</u> ZIP Code: <u>75501</u>
Latitude (nearest second):	Longitude (nearest second):
C. Core Data Form (required for Standard Permits 6004, 6006, 6007, 6008, and 6013).	
Is the Core Data Form (TCEQ Form 10400) attached?	<input checked="" type="checkbox"/> YES <input type="checkbox"/> NO
If "NO," provide customer reference number (CN) and regulated entity number (RN) below.	
Customer Reference Number (CN):	<u>603285024</u>
Regulated Entity Number (RN):	<u>105751721</u>
D. TCEQ Account Identification Number (if known):	
E. Type of Action:	
<input checked="" type="checkbox"/> Initial Application <input type="checkbox"/> Change to Registration <input type="checkbox"/> Renewal <input type="checkbox"/> Renewal Certification	
For Change to Registration, Renewal, or Renewal Certification actions provide the following:	
Registration Number:	Expiration Date:
F. Standard Permit Claimed: <u>6004</u>	
G. Previous Standard Exemption or PBR Registration Number <u>59217L002</u>	
Is this authorization for a change to an existing facility previously authorized under a standard exemption or PBR?	<input checked="" type="checkbox"/> YES <input checked="" type="checkbox"/> NO
If "YES," enter previous standard exemption number(s) and PBR registration number(s), and associated effective date in the spaces provided below.	
Standard Exemption and PBR Registration Number(s)	Effective Date

Texas Commission on Environmental Quality
Form PI-1S
Registrations for Air Standard Permit
(Page 3)

II. Facility and Site Information (continued)		
H. Other Facilities at this Site Authorized by Standard Exemption, PBR, or Standard Permit		
Are there any other facilities at this site that are authorized by an Air Standard Exemption, PBR, or Standard Permit?		<input type="checkbox"/> YES <input checked="" type="checkbox"/> NO
If "YES," enter standard exemption number(s), PBR registration number(s), and Standard Permit registration number(s), and associated effective date in the spaces provided below.		
Standard Exemption, PBR Registration, and Standard Permit Registration Number(s)	Effective Date	
I. Other Air Preconstruction Permits		
Are there any other air preconstruction permits at this site?		<input type="checkbox"/> YES <input checked="" type="checkbox"/> NO
If "YES," enter permit number(s) in the spaces provided below.		
J. Affected Air Preconstruction Permits		
Does the standard permit directly affect any permitted facility?		<input type="checkbox"/> YES <input checked="" type="checkbox"/> NO
If "YES," enter permit number(s) in the spaces provided below.		
K. Concrete Batch Plant		
<input checked="" type="checkbox"/> Central Mix <input type="checkbox"/> Ready Mix <input type="checkbox"/> Specialty Mix <input type="checkbox"/> Enhanced Controls for Concrete Batch Plants		
1. State Legislators		
State Senator: <i>Bryan Hughes</i>		
State Representative: <i>Garry VanDeaver</i>		
2. County Judge		
Name: <i>Bobby Howell</i>		
Mailing Address: <i>710 James Bowie Drive</i>		
City: <i>New Boston</i>	State: <i>TX</i>	ZIP Code: <i>75570</i>

Texas Commission on Environmental Quality
Form PI-1S
Registrations for Air Standard Permit
(Page 4)

II. Facility and Site Information (continued)		
K. 3. Presiding Officer		
Is the facility located in a municipality or extraterritorial jurisdiction of a municipality?		<input type="checkbox"/> YES <input type="checkbox"/> NO
If "YES," list the name of the Presiding Officer for the municipality and/or extraterritorial jurisdiction:		
Presiding Officer Name: <i>Bob Braggeman</i>		
Title: <i>Mayor</i>		
Mailing Address: <i>P. O. Box 1967</i>		
City: <i>Texarkana</i>	State: <i>TX</i>	ZIP Code: <i>75504</i>
L. Federal Operating Permit (FOP) Requirements		
Is this facility located at a site that is required to obtain an FOP pursuant to 30 TAC Chapter 122?		<input type="checkbox"/> YES <input checked="" type="checkbox"/> NO <input type="checkbox"/> To Be Determined
If the site currently has an existing FOP, enter the permit number:		
Check the requirements of 30 TAC Chapter 122 that will be triggered if this standard permit is approved (check all that apply).		
<input type="checkbox"/> Initial Application for an FOP	<input type="checkbox"/> Significant Revision for an SOP	<input type="checkbox"/> Minor Revision for an SOP
<input type="checkbox"/> Operational Flexibility/Off Permit Notification for an SOP		<input type="checkbox"/> Revision for a GOP
<input type="checkbox"/> To be Determined		<input checked="" type="checkbox"/> None
Identify the type(s) of FOP issued and/or FOP application(s) submitted/pending for the site. (check all that apply)		
<input type="checkbox"/> SOP	<input type="checkbox"/> GOP	<input type="checkbox"/> GOP application/revision (submitted or under APD review)
<input type="checkbox"/> N/A	<input type="checkbox"/> SOP application/revision (submitted or under APD review)	
III. Fee Information (see Section IX. for address to send fee or go to www.tceq.texas.gov/epay to pay online)		
A. Fee Amount: <i>\$ 900</i>		
B. Payment Information		
Check/money order/transaction or voucher number: <i>Check # 42701</i>		
Individual or company name on check: <i>East Texas Bridge Inc</i>		
Was fee paid online?		<input type="checkbox"/> YES <input checked="" type="checkbox"/> NO

Texas Commission on Environmental Quality
Form PI-1S
Registrations for Air Standard Permit
(Page 5)

IV. Public Notice (if applicable)			
A. Responsible Person (<input checked="" type="checkbox"/> Mr. <input type="checkbox"/> Mrs. <input type="checkbox"/> Ms. <input type="checkbox"/> Other:)			
Name: <i>Richard Townsend</i>			
Title: <i>Vice President</i>			
Company: <i>East Texas Bridge Inc.</i>			
Mailing Address: <i>P.O. Box 6218</i>			
City: <i>Longview</i>	State: <i>TX</i>	ZIP Code: <i>75608</i>	
Phone: <i>903-553-9669</i>	Fax No.: <i>903-758-2717</i>		
E-mail Address: <i>richard@etbridge.com</i>			
B. Technical Contact (<input type="checkbox"/> Mr. <input type="checkbox"/> Mrs. <input type="checkbox"/> Ms. <input type="checkbox"/> Other:)			
Name:			
Title: <i>Same As Above</i>			
Company:			
Mailing Address:			
City:	State:	ZIP Code:	
Phone No.:	Fax No.:		
E-mail Address:			
C. Bilingual Notice			
Is a bilingual program required by the Texas Education Code in the School District?			<input checked="" type="checkbox"/> YES <input type="checkbox"/> NO
Are the children who attend either the elementary school or the middle school closest to your facility eligible to be enrolled in a bilingual program provided by the district?			<input checked="" type="checkbox"/> YES <input type="checkbox"/> NO
If "YES," list which language(s) are required by the bilingual program?			
<i>Spanish</i>			

**Texas Commission on Environmental Quality
Form PI-1S
Registrations for Air Standard Permit
(Page 6)**

IV. Public Notice (if applicable) (continued)	
D. Small Business Classification and Alternate Public Notice	
Does this company (including parent companies and subsidiary companies) have fewer than 100 employees or less than \$6 million in annual gross receipts?	<input type="checkbox"/> YES <input checked="" type="checkbox"/> NO
Is the site a major source under 30 TAC Chapter 122, Federal Operating Permit Program?	<input type="checkbox"/> YES <input checked="" type="checkbox"/> NO
Are the site emissions of any individual regulated air contaminant equal to or greater than 50 tpy?	<input type="checkbox"/> YES <input checked="" type="checkbox"/> NO
Are the site emissions of all regulated air contaminant combined equal to or greater than 75 tpy?	<input type="checkbox"/> YES <input checked="" type="checkbox"/> NO
E. For Concrete Batch Plants	
1. Public Works Project: Will the plant provide concrete to a public works project, and be located in or contiguous to the right of-way of the public works project? (If "YES," public notice is not required.)	<input type="checkbox"/> YES <input checked="" type="checkbox"/> NO
2. Application in Public Place	<input checked="" type="checkbox"/> YES <input type="checkbox"/> NO
Name of Public Place: <u>Easttexasbridge.com</u>	
Physical Address:	
City:	County:
V. Renewal Certification Option	
A. Does the permitted facility emit an air contaminant on the Air Pollutant Watch List, and is the permitted facility located in an area on the watch list?	<input type="checkbox"/> YES <input checked="" type="checkbox"/> NO
B. For facilities participating in the Houston/Galveston/Brazoria area (HGB) cap and trade program for highly reactive VOCs (HRVOCs), do the HRVOCs need to be speciated on the maximum allowable emission rates table (MAERT)?	<input type="checkbox"/> YES <input checked="" type="checkbox"/> NO
C. Does the company and/or site have an unsatisfactory compliance history?	<input type="checkbox"/> YES <input checked="" type="checkbox"/> NO
D. Are there any applications currently under review for this standard permit registration?	<input type="checkbox"/> YES <input checked="" type="checkbox"/> NO
E. Are scheduled maintenance, startup, or shutdown emissions required to be included in the standard permit registration at this time?	<input type="checkbox"/> YES <input checked="" type="checkbox"/> NO

Texas Commission on Environmental Quality
Form PI-1S
Registrations for Air Standard Permit
(Page 7)

V. Renewal Certification Option (continued)	
F. Are any of the following actions being requested at the time of renewal:	<input type="checkbox"/> YES <input type="checkbox"/> NO
1. Are there any facilities that have been permanently shutdown that are proposed to be removed from the standard permit registration?	<input type="checkbox"/> YES <input checked="" type="checkbox"/> NO
2. Do changes need to be made to the standard permit registration in order to remain in compliance?	<input type="checkbox"/> YES <input checked="" type="checkbox"/> NO
3. Are sources or facilities that have always been present and represented, but never identified in the standard permit registration, proposed to be included with this renewal?	<input type="checkbox"/> YES <input type="checkbox"/> NO
4. Are there any changes to the current emission rates table being proposed?	<input type="checkbox"/> YES <input type="checkbox"/> NO
<i>Note: If answers to all of the questions in Section V. Renewal Certification Option are "NO," use the certification option and skip to Section VII. of this form. If the answers to any of the questions in Section V. Renewal Certification Option are "YES," the certification option cannot be used.</i>	
*If notice is applicable and comments are received in response to the public notice, the application does not qualify for the renewal certification option.	
VI. Technical Information Including State and Federal Regulatory Requirements	
Place a check next to the appropriate box to indicate what you have included in your submittal.	
<i>NOTE: Any technical or essential information needed to confirm that facilities are meeting the requirements of the standard permit must be provided. Not providing key information could result in an automatic deficiency and voiding of the project.</i>	
A. Standard Permit requirements (Checklists are optional; however, your review will go faster if you provide applicable checklists.)	
Did you demonstrate that the general requirements in 30 TAC Sections 116.610 and 116.615 are met?	<input checked="" type="checkbox"/> YES <input type="checkbox"/> NO
Did you demonstrate that emission limitations in 30 TAC Sections 106.261 and 106.262 are met?	<input checked="" type="checkbox"/> YES <input type="checkbox"/> NO
Did you demonstrate that the individual requirements of the specific standard permit are met?	<input checked="" type="checkbox"/> YES <input type="checkbox"/> NO
B. Confidential Information (All pages properly marked "CONFIDENTIAL")	<input type="checkbox"/> YES <input checked="" type="checkbox"/> NO
C. Process Flow Diagram	<input checked="" type="checkbox"/> YES <input type="checkbox"/> NO
D. Process Description	<input checked="" type="checkbox"/> YES <input type="checkbox"/> NO
E. Maximum Emissions Data and Calculations	<input checked="" type="checkbox"/> YES <input type="checkbox"/> NO
F. Plot Plan	<input checked="" type="checkbox"/> YES <input type="checkbox"/> NO

Texas Commission on Environmental Quality
Form PI-1S
Registrations for Air Standard Permit
(Page 8)

VI. Technical Information Including State and Federal Regulatory Requirements (continued)

Place a check next to the appropriate box to indicate what you have included in your submittal.
NOTE: Any technical or essential information needed to confirm that facilities are meeting the requirements of the standard permit must be provided. Not providing key information could result in an automatic deficiency and voiding of the project.

G. Projected Start Of Construction Date, Start Of Operation Date, and Length of Time at Site: YES NO

Projected Start of Construction (provide date): 5-1-2020

Projected Start of Operation (provide date): 5-3-2020

Length of Time at the Site: 18 months

VII. Delinquent Fees and Penalties

This form **will not be processed** until all delinquent fees and/or penalties owed to the TCEQ or the Office of the Attorney General on behalf of the TCEQ are paid in accordance with the Delinquent Fee and Penalty Protocol. For more information regarding Delinquent Fees and Penalties, go to the TCEQ Web site at: www.tceq.texas.gov/agency/delin/index.html.

VIII. Signature Requirements

The signature below confirms that I have knowledge of the facts included in this application and that these facts are true and correct to the best of my knowledge and belief. I further state that to the best of my knowledge and belief, the project for which application is made will not in any way violate any provision of the Texas Water Code (TWC), Chapter 7; the Texas Health and Safety Code, Chapter 382, the Texas Clean Air Act (TCAA) the air quality rules of the Texas Commission on Environmental Quality; or any local governmental ordinance or resolution enacted pursuant to the TCAA. I further state that I understand my signature indicates that this application meets all applicable nonattainment, prevention of significant deterioration, or major source of hazardous air pollutant permitting requirements. The signature further signifies awareness that intentionally or knowingly making or causing to be made false material statements or representations in the application is a criminal offense subject to criminal penalties.

Name (printed): Richard Townsend

Signature (original signature required): Richard Townsend

Date: 03-29-2020



Air Quality Standard Permit for Concrete Batch Plants Registration Checklist

The following checklist has been developed so the Texas Commission on Environmental Quality (TCEQ), Air Permits Division (APD) can confirm that the concrete batch plant meets the standard permit requirements. Please read all questions and select YES, NO, N/A, or give specific information for the facility. If the concrete batch plant does not meet all conditions of this standard permit, it will not be allowed to operate under the standard permit and must apply for a case-by-case preconstruction permit as required under Title 30 Texas Administrative Code (TAC) §116.110. Sections 3 through 7 are requirements for all concrete batch plant standard permit applications. Sections 8, 9, and 10 are specific requirements required for either temporary, permanent, or specialty plants.

Facility Type		
Check the facility type authorized		
<input checked="" type="checkbox"/>	Temporary Concrete Batch Plant (Complete Sections 3-7 and 8)	
<input type="checkbox"/>	Permanent Concrete Batch Plant (Complete Sections 3-7 and 9)	
<input type="checkbox"/>	Specialty Concrete Batch Plant (Comp Sections 3-7 and 10)	
Condition Number and Description		
(3)	Administrative Requirements	
(3)(A)	Are the form PI-1S, Registrations for Air Standard Permit, Table 11, Fabric Filters, Table 20, Concrete Batch Plants attached?	<input checked="" type="checkbox"/> YES <input type="checkbox"/> NO
	If applicable, is Table 29 Reciprocating Engines attached?	<input type="checkbox"/> YES <input checked="" type="checkbox"/> NO
	Will copies of all information be mailed to the Air Permits Division, the TCEQ regional office, and all applicable local programs?	<input checked="" type="checkbox"/> YES <input type="checkbox"/> NO
(3)(B)	Was the \$900 fee sent to the TCEQ Revenue Section? (The fee is not required if the facility meets the requirements of being in or adjacent to the right of way of a public works project.)	<input checked="" type="checkbox"/> YES <input type="checkbox"/> NO
(3)(C)	Has construction and/or operation begun on the facility?	<input type="checkbox"/> YES <input checked="" type="checkbox"/> NO
(3)(G)	Will this facility qualify for relocation under section (8)(F)? (If yes, the facility will be exempt from public notice requirements in section (4) of this standard permit.)	<input type="checkbox"/> YES <input checked="" type="checkbox"/> NO
(3)(H)	Will construction commence within 18 months of written approval from the Executive Director in accordance with 30 TAC § 116.120(a)(1), Voiding of Permits?	<input checked="" type="checkbox"/> YES <input type="checkbox"/> NO
(3)(J)	Will records be maintained and kept for a rolling 24 months?	<input checked="" type="checkbox"/> YES <input type="checkbox"/> NO
(3)(K)	Will abatement equipment failure or emissions deviations in excess of paragraph (5)(B)(iii) be reported in accordance with 30 TAC Chapter 101, General Air Quality Rules as appropriate?	<input checked="" type="checkbox"/> YES <input type="checkbox"/> NO



Air Quality Standard Permit for Concrete Batch Plants Registration Checklist

(4) Public Notice	
(4) Will the public notice requirements be followed in accordance in 30 TAC Chapter 39, Public Notice?	<input checked="" type="checkbox"/> YES <input type="checkbox"/> NO
<p>Is this a temporary facility that is exempt from public notice under 30 TAC § 116.178(b), Relocations and Changes of Location of Portable Facilities?</p> <p>If Yes, please provide a map indicating where the public works right of way is located and the location of the proposed plant. Also provide the name of the project or Texas Department of Transportation project number.</p>	<input type="checkbox"/> YES <input checked="" type="checkbox"/> NO
(5) General Requirement	
(5)(A) Will all cement/flyash storage silos, weigh hoppers, and auxiliary storage tanks be vented to a fabric/cartridge filter or a central fabric/cartridge filter system?	<input checked="" type="checkbox"/> YES <input type="checkbox"/> NO
(5)(B)(i) Will fabric/cartridge filters and collection systems be operated properly with no tears or leaks?	<input checked="" type="checkbox"/> YES <input type="checkbox"/> NO
(5)(B)(ii) Will filter systems (including any central filter system) be designed to meet a minimum control efficiency of at least 99.5 percent at particle sizes of 2.5 microns and smaller?	<input checked="" type="checkbox"/> YES <input type="checkbox"/> NO
(5)(B)(iii) Will all filter systems meet visible emissions performance standards?	<input checked="" type="checkbox"/> YES <input type="checkbox"/> NO
(5)(B)(iv) Will cement and/or flyash silo filter exhausts be equipped with sufficient illumination to observe visible emissions performance if filled during non-daylight hours?	<input checked="" type="checkbox"/> YES <input type="checkbox"/> NO
(5)(C)(i) Will conveying systems to and from the storage silos be properly operated, remain totally enclosed, and maintained with no tears or leaks?	<input checked="" type="checkbox"/> YES <input type="checkbox"/> NO
(5)(C)(ii) During cement/flyash storage silo filling, except for connecting or disconnecting, will you keep a standard of having no visible emissions for more than 30 seconds in any six-minute period from the conveying system?	<input checked="" type="checkbox"/> YES <input type="checkbox"/> NO
(5)(D) Is there an automatic shut-off or warning device installed on each bulk storage silo?	<input checked="" type="checkbox"/> YES <input type="checkbox"/> NO
(5)(D)(i) If an automatic shut-off device is installed, will it shut down the loading operations on each bulk storage silo or auxiliary storage tank prior to reaching capacity?	<input type="checkbox"/> YES <input type="checkbox"/> NO <input checked="" type="checkbox"/> N/A



Air Quality Standard Permit for Concrete Batch Plants Registration Checklist

(5) General Requirement (<i>continued</i>)		
(5)(D)(ii)	If a warning device is used, will it alert operators in sufficient time to prevent an adverse impact on the pollution abatement equipment or other parts of the loading operation?	<input checked="" type="checkbox"/> YES <input type="checkbox"/> NO <input type="checkbox"/> N/A
	Do you regularly prevent particle build-up on visible warning devices?	<input checked="" type="checkbox"/> YES <input type="checkbox"/> NO <input type="checkbox"/> N/A
(5)(D)(iii)	Will warning devices or shut-off systems be tested at least monthly during operations and records kept indicating test and repair results in accordance with Section (3)(J) of this standard permit?	<input checked="" type="checkbox"/> YES <input type="checkbox"/> NO
(5)(E)	The following methods will be used to control emissions from in-plant roads and traffic areas:	<input checked="" type="checkbox"/> YES <input type="checkbox"/> NO
(5)(E)(i)	Watering.	<input checked="" type="checkbox"/> YES <input type="checkbox"/> NO
(5)(E)(ii)	Treated with dust-suppressant chemicals (as described in the application of aqueous detergents, surfactants, and other cleaning solutions in the de minimis list).	<input type="checkbox"/> YES <input checked="" type="checkbox"/> NO
(5)(E)(iii)	Covered with a material such as, (but not limited to), roofing shingles or tire chips and used in combination with (i) or (ii) above.	<input checked="" type="checkbox"/> YES <input type="checkbox"/> NO
(5)(E)(iv)	Paved with a cohesive hard surface that is maintained intact and cleaned.	<input type="checkbox"/> YES <input checked="" type="checkbox"/> NO
(5)(F)	Will dust emissions from all stockpiles be minimized at all times by sprinkling with water, dust-suppressant chemicals, or covered?	<input checked="" type="checkbox"/> YES <input type="checkbox"/> NO <input type="checkbox"/> N/A
(5)(G)	Will all material spills be immediately cleaned up and contained or dampened so dust emissions are minimized?	<input checked="" type="checkbox"/> YES <input type="checkbox"/> NO <input type="checkbox"/> N/A
(5)(H)	Will visible emissions leave the property for more than 30 seconds in duration in any six-minute period during normal plant operations as determined using EPA Test Method 22?	<input checked="" type="checkbox"/> YES <input type="checkbox"/> NO
	Will quarterly visible emission observations be performed and recorded in accordance with Section (3)(J) of this standard permit?	<input checked="" type="checkbox"/> YES <input type="checkbox"/> NO
	If visible emissions exceed Test Method 22 criteria, will immediate corrective action be taken and documented?	<input checked="" type="checkbox"/> YES <input type="checkbox"/> NO
(5)(I)	Will the concrete batch plant be located at least 550 feet from any crushing plant or hot mix asphalt plant?	<input checked="" type="checkbox"/> YES <input type="checkbox"/> NO
	If no, will the concrete batch plant operate at the same time as the crushing plant or hot mix asphalt plant?	<input type="checkbox"/> YES <input type="checkbox"/> NO <input checked="" type="checkbox"/> N/A



Air Quality Standard Permit for Concrete Batch Plants Registration Checklist

(5) General Requirement (continued)	
(5)(J) Are multiple concrete batch plants being operated on the same site?	<input type="checkbox"/> YES <input checked="" type="checkbox"/> NO
Will site production limits be maintained per Sections (8), (9), or (10)?	<input checked="" type="checkbox"/> YES <input type="checkbox"/> NO
(5)(K) Will any concrete additives emit volatile organic compounds (VOC)?	<input type="checkbox"/> YES <input checked="" type="checkbox"/> NO
(6) Engines	
(6)(A) Will the horsepower (or combined horsepower) of the stationary compression ignition internal combustion engine(s) exceed 1,000 horsepower?	<input type="checkbox"/> YES <input type="checkbox"/> NO <input checked="" type="checkbox"/> N/A
(6)(C) Will the engine exhaust stack be a minimum of eight feet tall?	<input type="checkbox"/> YES <input type="checkbox"/> NO <input checked="" type="checkbox"/> N/A
(6)(D) Will fuel for the engine be liquid fuel with a maximum sulfur content of no more than 0.0015 percent by weight and not consist of a blend containing waste oils or solvents?	<input type="checkbox"/> YES <input type="checkbox"/> NO <input checked="" type="checkbox"/> N/A
(7) Planned Maintenance, Startup, and Shutdown (MSS) Activities	
Will planned maintenance activities receive separate authorization or meet the conditions of 30 TAC § 116.119, De Minimis Facilities or Sources?	<input type="checkbox"/> YES <input checked="" type="checkbox"/> NO
(8) Additional Requirements for Temporary Concrete Batch Plants	
(8)(A) Will the site production rate be limited to 300 cubic yards in any one hour (cy/hr) not to exceed 6,000 cubic yards per day?	<input checked="" type="checkbox"/> YES <input type="checkbox"/> NO
(8)(B) Will the suction shroud be vented to a fabric or cartridge filter system with a minimum of 5,000 actual cubic feet per minute (acfm)?	<input checked="" type="checkbox"/> YES <input type="checkbox"/> NO
(8)(C) Will the truck drop point be sheltered by an intact three-sided curtain or equivalent dust control technology that extends below the mixer truck-receiving funnel?	<input checked="" type="checkbox"/> YES <input type="checkbox"/> NO
(8)(D)(i) Will the suction shroud baghouse exhaust be located at least 100 feet from any property line?	<input checked="" type="checkbox"/> YES <input type="checkbox"/> NO
<p><i>Note: For concrete batch plants that supply concrete for a single public works project, the property line measurements for purposes of compliance with this standard permit shall be made to the outer boundaries of the designated public property, roadway project and associated rights-of-way.</i></p>	
(8)(D)(ii) Will all stationary equipment, stockpiles, or vehicles used for the operation of the concrete batch plant (except for incidental traffic and the entrance and exit to the site) be located or operated at least 50 feet from any property line?	<input checked="" type="checkbox"/> YES <input type="checkbox"/> NO <input type="checkbox"/> N/A



Air Quality Standard Permit for Concrete Batch Plants Registration Checklist

(8) Additional Requirements for Temporary Concrete Batch Plants (continued)		
(8)(E)(i)	In lieu of meeting the distance requirements in (8)(D) (ii), will the roads and other traffic areas within the buffer distance be bordered by dust suppressing fencing or other barriers along all traffic routes or work areas?	<input type="checkbox"/> YES <input type="checkbox"/> NO <input checked="" type="checkbox"/> N/A
(8)(E)(ii)	Will these borders be constructed to a height of at least 12 feet?	<input type="checkbox"/> YES <input type="checkbox"/> NO <input checked="" type="checkbox"/> N/A
(8)(E)(iii)	Will stockpiles be contained within a three-walled bunker that extends at least two feet above the top of the stockpile?	<input type="checkbox"/> YES <input type="checkbox"/> NO <input checked="" type="checkbox"/> N/A
(8)(F)(i)	Is a registered portable facility moving to a site for support of a public works project in which the proposed site is located in or contiguous to the right-of-way of the public works project?	<input type="checkbox"/> YES <input checked="" type="checkbox"/> NO
(8)(F)(ii)	Is a registered portable facility moving to a site in which a portable facility was located at the site at any time during the previous two years and was the site subject to public notice?	<input type="checkbox"/> YES <input checked="" type="checkbox"/> NO
(8)(G)	If (8)(F) conditions are met, forward the required information to the appropriate regional office for final decision.	
(9) Additional Requirements for Permanent Concrete Batch Plants		
(9)(A)	Will the site production rate be limited to no more than 300 cubic yards in any one hour, not to exceed 6,000 cubic yards per day?	<input type="checkbox"/> YES <input type="checkbox"/> NO
(9)(B)	Will the suction shroud or other pickup device be installed at the batch drop point (drum feed for central mix plants)?	<input type="checkbox"/> YES <input type="checkbox"/> NO
	Will the suction shroud or other pickup device be vented to a fabric or cartridge filter system with a minimum of 5,000 acfm?	<input type="checkbox"/> YES <input type="checkbox"/> NO
(9)(C)	Will the truck drop point be sheltered by an intact three-sided curtain or equivalent dust control technology that extends below the mixer truck-receiving funnel?	<input type="checkbox"/> YES <input type="checkbox"/> NO
(9)(D)(i)	Will the suction shroud baghouse exhaust be located at least 100 feet from any property line?	<input type="checkbox"/> YES <input type="checkbox"/> NO <input type="checkbox"/> N/A
(9)(D)(ii)	Will all stationary equipment, stockpiles, or vehicles used for the operation of the concrete batch plant (except for incidental traffic and the entrance and exit to the site) be located or operated at least 50 feet from any property line?	<input type="checkbox"/> YES <input type="checkbox"/> NO <input type="checkbox"/> N/A
(9)(E)(i)	In lieu of meeting the distance requirements in (9)(D)(ii), will the roads and other traffic areas within the buffer distance be bordered by dust suppressing fencing or other barriers along all traffic routes or work areas?	<input type="checkbox"/> YES <input type="checkbox"/> NO <input type="checkbox"/> N/A



Air Quality Standard Permit for Concrete Batch Plants Registration Checklist

(9) Additional Requirements for Permanent Concrete Batch Plants (continued)		
(9)(E)(ii)	Will these borders be constructed to a height of at least 12 feet?	<input type="checkbox"/> YES <input type="checkbox"/> NO <input type="checkbox"/> N/A
(9)(E)(iii)	Will stockpiles be contained within a three-walled bunker that extends at least two feet above the top of the stockpile?	<input type="checkbox"/> YES <input type="checkbox"/> NO <input type="checkbox"/> N/A
(9)(F)	Will all entry and exit roads and main traffic routes associated with the operation of the concrete batch plant (including batch truck and material delivery truck roads) be paved with a cohesive hard surface that can be maintained intact and cleaned?	<input type="checkbox"/> YES <input type="checkbox"/> NO
	Will all batch trucks and material delivery trucks remain on the paved surface when entering, conducting primary function, and leaving the property?	<input type="checkbox"/> YES <input type="checkbox"/> NO
	Will all other traffic areas, except entry and exit roads and main traffic routes, be maintained using the control requirements of subsection (5)(E) of this standard permit.	<input type="checkbox"/> YES <input type="checkbox"/> NO
(10) Additional Requirements for Specialty Concrete Batch Plants		
(10)(A)	Will the site production rate be limited to no more than 30 cubic yards per hour?	<input type="checkbox"/> YES <input type="checkbox"/> NO
(10)(B)	As an alternative to the requirement in subsection (5)(A) of this standard permit, will the cement/fly ash weigh hopper be vented inside the batch mixer?	<input type="checkbox"/> YES <input type="checkbox"/> NO
(10)(C)(i)	Will the dust emissions at the batch mixer be controlled using a suction shroud or other pickup device delivering air to a fabric or cartridge filter?	<input type="checkbox"/> YES <input type="checkbox"/> NO <input type="checkbox"/> N/A
(10)(C)(ii)	Will the dust emissions at the batch mixer be controlled using an enclosed batch mixer feed?	<input type="checkbox"/> YES <input type="checkbox"/> NO <input type="checkbox"/> N/A
(10)(C)(iii)	Will the dust emissions at the batch mixer be controlled by conducting the entire mixing operation inside an enclosed process building?	<input type="checkbox"/> YES <input type="checkbox"/> NO <input type="checkbox"/> N/A
(10)(D)	Will all vehicles used for the operation of the concrete batch plant (except for incidental traffic and the entrance and exit to the site) be located or operated at least 25 feet from any property line?	<input type="checkbox"/> YES <input type="checkbox"/> NO <input type="checkbox"/> N/A
(10)(E)(i)	In lieu of meeting the distance requirements in (10)(D), will the roads and other traffic areas within the buffer distance be bordered by dust suppressing fencing or other barriers along all traffic routes or work areas?	<input type="checkbox"/> YES <input type="checkbox"/> NO <input type="checkbox"/> N/A
(10)(E)(ii)	Will these borders be constructed to a height of at least 12 feet?	<input type="checkbox"/> YES <input type="checkbox"/> NO <input type="checkbox"/> N/A

Reset Form

**Texas Commission on Environmental Quality
Air Quality Standard Permits
General Requirements Checklist
Title 30 Texas Administrative Code §§116.610-116.615**

Check the most appropriate answer and include any additional information in the spaces provided. If additional space is needed, please include an extra page and reference the rule number. The SP forms, tables, checklists, and guidance documents are available from the TCEQ, Air Permits Division web site at:
www.tceq.texas.gov/permitting/air/nav/standard.html.

Most Standard Permits require registration with the commission's Office of Permitting, Remediation, and Registration in Austin. The facilities and/or changes to facilities can be registered by completing a Form PI-1S, "Registration for Air Standard Permit." This checklist should accompany the registration form to expedite any registration review.

CHECK THE MOST APPROPRIATE ANSWERS AND FILL IN THE REQUESTED INFORMATION		
Rule	Questions/Description	Response
116.610(a)(1)	Are there net emissions increases associated with this registration?	<input type="checkbox"/> YES <input checked="" type="checkbox"/> NO
	<i>If "YES," will net emission increases of air contaminants from the project, other than those for which a National Ambient Air Quality Standard (NAAQS) has been established, meet the emission limits of § 106.261 or § 106.262?</i>	<input type="checkbox"/> YES <input type="checkbox"/> NO
	<i>If "NO," does the specific standard permit exempt emissions from this limit?</i>	<input type="checkbox"/> YES <input type="checkbox"/> NO
Attach emissions summary and calculations:		
116.610(a)(3)	Do any of the Title 40 Code of Federal Regulations Part (CFR) 60, New Source Performance Standards apply to this registration?	<input type="checkbox"/> YES <input checked="" type="checkbox"/> NO
<i>If "YES," list subparts:</i>		
116.610 (a)(4)	Do any Hazardous Air Pollutant requirements apply to this registration?	<input type="checkbox"/> YES <input checked="" type="checkbox"/> NO
<i>If "YES," list subparts:</i>		
116.610 (a)(5)	Do any maximum achievable control technology (MACT) standards as listed under 40 CFR Part 63 or Chapter 113, Subchapter C (National Emissions Standard for Hazardous Air for Source Categories) apply to this registration?	<input type="checkbox"/> YES <input checked="" type="checkbox"/> NO
<i>If "YES," list subparts:</i>		
116.610(a)(6)	Will additional emission allowances under Chapter 101, Subchapter H, Division 3, Emissions Banking and Trading, need to be obtained following this registration?	<input type="checkbox"/> YES <input checked="" type="checkbox"/> NO
116.611(a)(1-6)	Is the following documentation included with this registration:	<input checked="" type="checkbox"/> YES <input type="checkbox"/> NO
	Emissions calculations including the basis of the calculations?	<input checked="" type="checkbox"/> YES <input type="checkbox"/> NO
	Quantification of all emission increases and/or decreases associated with this project?	<input checked="" type="checkbox"/> YES <input type="checkbox"/> NO
	Sufficient information demonstrating that this project does not trigger PSD or NNSR review?	<input checked="" type="checkbox"/> YES <input type="checkbox"/> NO
	Description of efforts to minimize collateral emissions increases associated with this project?	<input checked="" type="checkbox"/> YES <input type="checkbox"/> NO
	Process descriptions including related processes?	<input checked="" type="checkbox"/> YES <input type="checkbox"/> NO
	Description of any equipment being installed?	<input checked="" type="checkbox"/> YES <input type="checkbox"/> NO

Texas Commission on Environmental Quality
 Air Quality Standard Permits
 General Requirements Checklist
 Title 30 Texas Administrative Code §§116.610-116.615

Rule	Question/Description	Response
116.614	Are the required fee and a copy of the check or money order provided with the application?	<input checked="" type="checkbox"/> YES <input type="checkbox"/> NO
116.615(1)	Will emissions from the facility comply with all applicable rules and regulations of the commission adopted under Texas Health and Safety Code, Chapter 382, and with the intent of the Texas Clean Air Act?	<input checked="" type="checkbox"/> YES <input type="checkbox"/> NO
116.615(2)	Do you understand that all representations with regard to construction plans, operating procedures, and maximum emission rates in this registration become conditions upon which the facility will be constructed and operated?	<input checked="" type="checkbox"/> YES <input type="checkbox"/> NO
116.615(3)	Do you understand that all changes authorized by this registration need to be incorporated into the facility's permit if the facility is currently permitted under §116.110 (relating to Applicability)?	<input checked="" type="checkbox"/> YES <input type="checkbox"/> NO
<i>List all related permit numbers:</i>		
116.615(9)617(e)(1)	Will all air pollution emission capture and abatement equipment be maintained in good working order?	<input checked="" type="checkbox"/> YES <input type="checkbox"/> NO
116.615(10)	Will the facility comply with all applicable rules and regulations of the TCEQ, the Texas Health and Safety Code, Chapter 382, and the Texas Clean Air Act?	<input checked="" type="checkbox"/> YES <input type="checkbox"/> NO

[Save Form](#)

[Reset Form](#)

	Throughput (tons/year)	PART Emission Factor (lbs/ton)	PM10 Emission Factor (lbs/ton)	PM2.5 Emission Factor (lbs/ton)	PART Emissions (tons/year)	PM10 Emissions (tons/year)	PM2.5 Emissions (tons/year)
Aggregate Transfer	7200	0.0069	0.0033	0.001	0.0248	0.0119	0.0036
Sand Transfer	5600	0.0021	0.00099	0.0003	0.0059	0.0028	0.0008
Cement Silo Loading	1552	0.00099	0.00034	0.00015	0.0008	0.0003	0.0001
Cement Supplement Loading	516	0.0089	0.0049	0.0021	0.0023	0.0013	0.0005
Weigh Hopper Loading	14868	0.0051	0.0024	0.000765	0.0379	0.0178	0.0057
Truck Loading (truck mix)		0.995	0.278	0.15	0	0	0
Mixer Loading (central mix)	14868	0.544	0.134	0.0201	4.0441	0.9962	0.1494
Totals					4.1158	1.0302	0.1602

Texas Commission on Environmental Quality
Table 1(a) Emission Point Summary
Air Contaminant Data (Page 1)

Date:	February 19, 2020
Permit No.:	
Regulated Entity No.:	RN 105751721
Area Name:	Tyler
Customer Reference No.:	603285024

Review of application and issuance of permits will be expedited by supplying all necessary information requested on the Table

EPN	FIN	Name	Component or Air Contaminant Name	Air Contaminant Emission Rate lb/hr	Air Contaminant Emission Rate Tpy
1		Stockpile Rock	PM		.0248
2		Stockpile Sand	PM		.0059
3		Stacker Belt Rock	PM		
4		Stacker Belt Sand	PM		
5		Overhead Agg Bin	PM		
6		Aggregate Weigh Batcher	PM		.0379
7		Aggregate Feed Hopper	PM		
8		Cement Batcher	PM		.0031
9		Central Mixer Charge Point	PM		4.0441
10		Overhead Cement Storage	PM		
11		Overhead Flyash Storage	PM		
12		Central Dust Collector	PM		

EPN = Emission Point

FIN = Facility Identification Number

TCEQ - 10153 (APDG 5178v7, revised 06/19) Table 1(a)
 This form is for use by sources subject to air quality permit requirements and may be revised periodically.

**Texas Commission on Environmental Quality
Table 1(a) Emission Point Summary
Air Contaminant Data (Page 2)**

Date:	February 19, 2020
Permit No.:	
Regulated Entity No.:	RN 105751721
Area Name:	Tyler
Customer Reference No.:	603285024

Review of application and issuance of permits will be expedited by supplying all necessary information requested on the Table

EPN	RIN	Name	UTM Coordinates of Emission Point/Zone	UTM Coordinates of Emission East (Feet)	UTM Coordinates of Emission North (Feet)	Emission Point Discharge Parameters Building Height (ft)	Emission Point Discharge Parameters Height Above Ground (ft)	Stack Exit Diameter (ft)	Stack Exit Velocity (FPS)	Stack Exit Data Temperature (°F)	Fugitives Length (ft)	Fugitives Width (ft)	Fugitives Axis Degrees
1		StkPI Rock		0	85		0			Varies	50	100	
2		StkPI Sand		100	85		0			Varies	50	100	
3		Stacker Rock		5	70		11			Varies	10	10	
4		Stacker Sand		20	70		11			Varies	10	10	
5		Ovrh Agg Bin		10	5		22.5			Varies	25	10	
6		Ag Weigh Bat		10	5		14.67			Varies	25	10	
7		Ag Feed Hopper		46	5		19			Varies	4	4	
8		Cement Batch		46	5		20			Varies	1	1	
9		Central Mixer		46	5		14			Varies	4	4	
10		Cement Storage		36	5		30.5			Varies			
11		Fly Ash Storage		66	5		30.5			Varies			
12		Dust Collector		25	5		23.5			Varies			

EPN = Emission Point

TCEQ - 10153 (APDG 5178v7, revised 06/19) Table 1(a)
This form is for use by sources subject to air quality permit requirements and may be revised periodically.

FIN = Facility Identification Number

TCEQ - 10153 (APDG 5178v7, revised 06/19) Table 1(a)
This form is for use by sources subject to air quality permit requirements and
may be revised periodically.

Texas Commission on Environmental Quality

**Table 11
Fabric Filters**

Tables, checklists, and guidance documents pertaining to air quality permits are available from the Texas Commission on Environmental Quality (TCEQ) Air Permits Division (APD) website at www.tceq.texas.gov/permitting/air.

A. Emission Point Number (EPN) and Emission Point Name				
EPN: #12		Emission Point Name: Control Baghouse		
B. Manufacturer and Model Numbers (No.)				
Manufacturer No.: Vince Hagan		Model No.: 1053 - JP		
C. Name of Source(s) or Equipment Being Controlled				
Name	EPN	FIN		
Silos	10-11			
Mixer - Batchor - Charging Point	8-9-12			
D. Type of Particulate Controlled				
Portland Cement	Fly Ash	Aggregate Dust		
E. Gas Stream Characteristics				
Design Maximum	Average Expected Flow Rate (acfm)	Gas Stream Temperature (°F)	Particulate Grain Loading (grain/scf)	
6500	6500	70°	Inlet: < 0.005	Outlet:
Pressure Drop (inches of H ₂ O)	Water Vapor Content of Effluent Stream (lb water/lb dry air)		Fan Requirements	
6"			hp:	ft ³ /min.:
F. Particulate Distribution (By Weight)				
Micron Range	Inlet %	Outlet %		
0.0-0.5	0			
0.5-1.0	1			
1.0-5.0	25			
5-10	18			
10-20	25			
over 20	25			
G. Filter Characteristics				
Filtering Velocity (acfm/ft ² of Cloth)	Bag Diameter (inches)	Bag Length (feet)	Total Number of Bags	
6	6	7	99	

**Texas Commission on Environmental Quality
Table 11
Fabric Filters**

H. Bag Rows	
Indicate the arrangement of the baghouse bag filter rows.	<input type="checkbox"/> Staggered <input checked="" type="checkbox"/> Straight
I. Walkways	
Will walkways be provided between banks of bags?	<input checked="" type="checkbox"/> YES <input type="checkbox"/> NO
J. Filtering Material	
Identify the filtering media:	
<i>SEE Attached</i>	
Any additional coating or treatment of the baghouse material:	
" "	
K. Cleaning of the Filter(s)	
Describe Bag Cleaning Method and Cycle:	
<i>Pulse Jet Air</i>	
L. Cost	
Capital Installed Cost:	<i>\$ 50,000</i>
Annual Operating Cost:	<i>\$ 5,000</i>

Note: Attach the details regarding the principle of operation and an assembly drawing (front and top view) of the abatement device drawn to scale clearly showing the design, size and shape.
If the device has bypasses, safety valves, etc., include in the drawing and specify when such bypasses are to be used and under what conditions.

Texas Commission on Environmental Quality
Table 20
Concrete Batch Plants

The following table is designed to help you confirm that you meet the requirements of Title 30 Texas Administrative Code Chapter 116. Tables, checklists, and guidance documents pertaining to air quality permits are available from the Texas Commission on Environmental Quality Air Permits Division website at www.tceq.texas.gov/permitting/air/air_permits.html.

Please Complete the Following			
Company Name: <i>East Texas Bridge Inc</i>			
Plant identification or name: <i>09 Hagen</i>			
Type of plant:	<input type="checkbox"/> Permanent	<input checked="" type="checkbox"/> Temporary	<input type="checkbox"/> Specialty Mix
Type of batching that will be accomplished	<input type="checkbox"/> Wet (Rotary Mix Truck)	<input type="checkbox"/> Dry	<input checked="" type="checkbox"/> Central Mix
Maximum production rates:	cubic yards/hour <i>200</i>	cubic yards/year <i>150,000</i>	
Maximum operations:	hours/day <i>12</i>	days/week <i>6</i>	weeks/year <i>50</i> hour/year <i>3600</i>
Does the facility operate at night?			<input type="checkbox"/> YES <input checked="" type="checkbox"/> NO
Is a completed table 11 "Fabric Filters," submitted with this application for each fabric filter?			<input checked="" type="checkbox"/> YES <input type="checkbox"/> NO
Silo Information:			
How many silos will this plant have? <i>2</i>			
What is the volume of each silo (cubic feet)? <i>1600 cu/ft each</i>			
Explain the method of loading silo(s): <i>Pneumatic tank pumps product into silos.</i>			
Is each silo equipped with overload warning device?			<input checked="" type="checkbox"/> YES <input type="checkbox"/> NO
What type of abatement device will be used on silo vent(s)? <i>Central Baghouse</i>			
How will the batch drop to truck, or central mixer be controlled to prevent dust emissions?			
<input checked="" type="checkbox"/> Suction shroud with exhaust air to central fabric filter (If checked, attach a completed Table 11, "Fabric Filters.")			
<input type="checkbox"/> Flexible discharge spouts with water fog ring (If checked, attach design drawing.)			
<input type="checkbox"/> Other type of abatement device (If checked, explain in detail and attach design-drawing.)			
What is the distance from the water fog ring or central bag house stack to the nearest property line (ft.): <i>263</i>			
How will the cement weigh hopper be vented?			
<input type="checkbox"/> Cement Fly Ash Silo Fabric Filter (If checked, attach a completed Table 11, "Fabric Filters.")			
<input checked="" type="checkbox"/> Central Fabric Filter (If checked, attach a completed Table 11, "Fabric Filters.")			
<input type="checkbox"/> Other (Please indicate)			

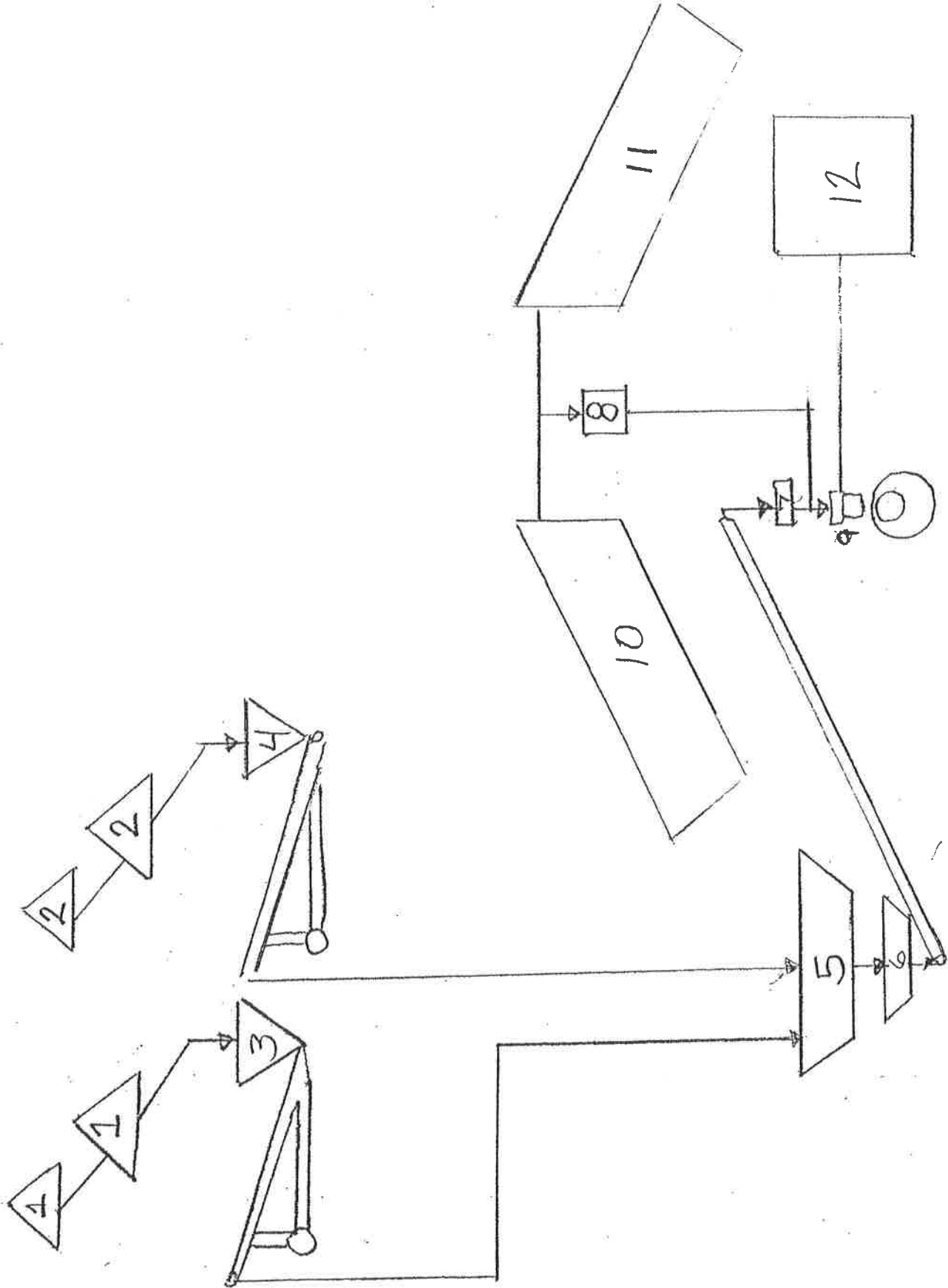
**Texas Commission on Environmental Quality
Table 20
Concrete Batch Plants**

The following table is designed to help you confirm that you meet the requirements of Title 30 Texas Administrative Code Chapter 116. Tables, checklists, and guidance documents pertaining to air quality permits are available from the Texas Commission on Environmental Quality Air Permits Division website at www.tceq.texas.gov/permitting/air/air_permits.html.

Please Complete the Following <i>(continued)</i>			
Will the sand and aggregate be washed prior to delivery at your facility?		<input checked="" type="checkbox"/> YES	<input type="checkbox"/> NO
What is the number of acres or square feet which will be covered by aggregate stockpiles?			
2	acres or		square feet
Water sprays will be used at the following locations:			
<input checked="" type="checkbox"/> Stockpiles	<input type="checkbox"/> Aggregate Bin Outlets	<input type="checkbox"/> Convey or Transfer Points	<input type="checkbox"/> Screens
How will plant roads be treated to prevent dust emissions?			
<input type="checkbox"/> Paved and Cleaned <i>(asphalt or concrete)</i>	<input type="checkbox"/> Chemical Sprayed	<input checked="" type="checkbox"/> Water Sprinkled	<input type="checkbox"/> Gravel
<input type="checkbox"/> Paved and Vacuumed			

Save Form

Reset Form



EAST TEXAS BRIDGE INC.

Process Description

Raw materials are transported to the site via tandem trailers, dump trucks, or cement tanker trailers. These trucks will enter the plant location thru the entrance and exit thru the same point. The rock and sand are unloaded and stockpiled on site (flow diagram 1 and 2). The cement and fly ash is unloaded into elevated silos through pressurized lines from the transport truck to the top of the silos (flow diagram 10 and 11).

After materials are delivered and stockpiled the aggregate materials are loaded onto the stacker belts (flow diagram 3 and 4) via a rubber tired front end loader. This material is conveyed to the overhead aggregate bins (flow diagram 5). The material is then gravity fed into the aggregate weigh batcher (flow diagram 6). Once all aggregate is weighed the material will be conveyed through the aggregate feed hopper (flow diagram 7) to the central mixer charging point (flow diagram 9). Simultaneously to the prior mentioned process for aggregates the cementitious materials go thru a separate process. The cementitious materials are transported via internal augers to the cement weigh batcher (flow diagram 8), then dropped into the central mixer through the central mixer charging point (flow diagram 9). A proportioned amount of water is deposited through the central mixer charging point (flow diagram 9) to yield ready mix concrete. Any particulate matter that escaped near the central mixer charging point (flow diagram 9) is collected via the dust collector (flow diagram 12).

Once the ready mix concrete is thoroughly mixed it is dumped into a transport truck which leaves thru the entrance/exit, and returns to the plant using the same point.

THE VINCE HAGAN co.

Designers, Engineers & Manufacturers of Concrete Batching Plants and Material Handling Equipment

MODEL 1083-JP INTRUSS BAGHOUSE

SPECIFICATIONS

CLOTH FILTERING AREA.....	1083 FT ²
NUMBER OF BAGS.....	99
BAG DIAMETER	6"
BAG LENGTH.....	84"
CLOTH TYPE.....	POLYESTER FELT
CLOTH WEAVE.....	POLYESTER .065" (NOM.)
CONSTRUCTION.....	NEEDLE PUNCHED, SCRIM SUPPORTED
PERMEABILITY.....	.25 TO 35 CFM/SQ. FT. CLOTH AREA AT .5" GAUGE RESISTANCE
AIR VOLUME INTAKE (20" BLOWER).....	6500 CFM
EXHAUST OPENING SIZE.....	19 7/16" x 17 3/8"
EFFICIENCY.....	99%+ AT 1 MICRON
MANUFACTURER.....	THE VINCE HAGAN COMPANY
BAG WEIGHT	16± 1 OZ./SQ. YD.
MULLEN BURST.....	400 PSI MIN.
FINISH.....	PLAIN, SINGED, ACRYLIC COATED, TEFLON COATED & MEMBRANE
TEMPERATURE.....	275 ⁰ F CONTINUOUS TO 300 ⁰ F SURGE
MOTOR.....	15 HP @ 3450 RPM 254T
FAN SPEED.....	2150 RPM (NOM.)



MEMBER OF:
NATIONAL READY MIXED
CONCRETE ASSOCIATION





FAN SELECTION And PERFORMANCE

Your Cincinnati Fan Representative:

Phone
Fax

Thursday, December 19, 2002

Job Name:
Reference:

Operating Requirements

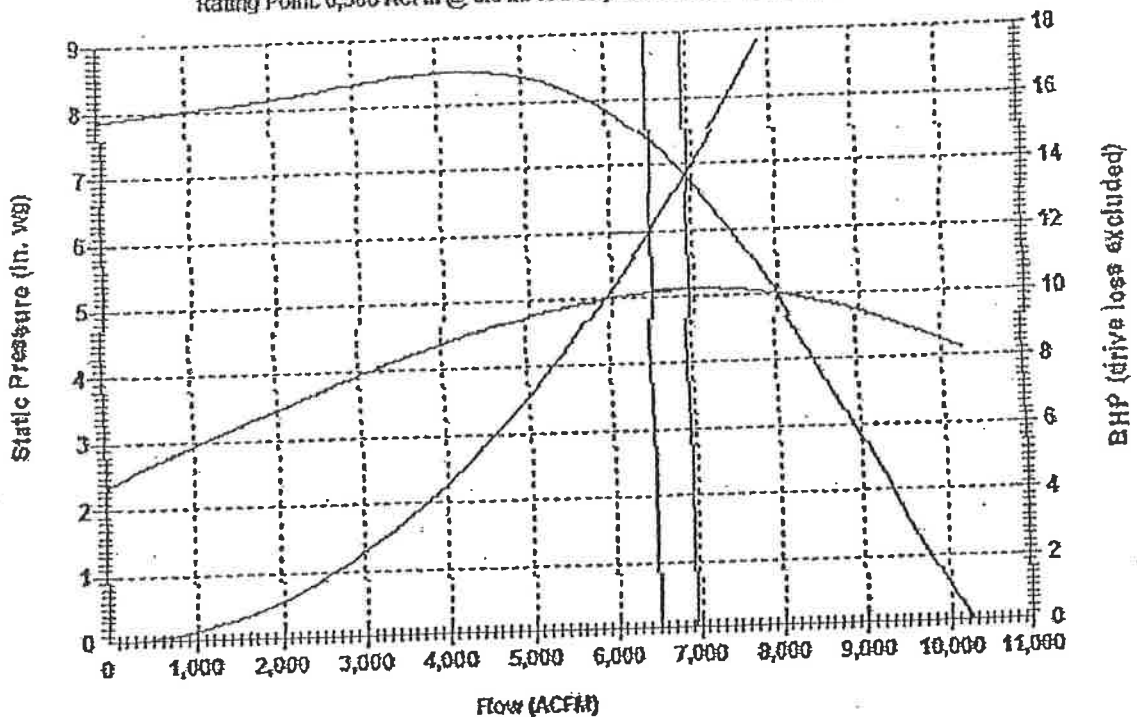
Volume, ACFM	6,500
Static Pressure, in. W.G.	6.0
Density, lb./ft. ³	0.0685
Operating Temperature, °F	100
Site Altitude, ft. ASL	500
Relative Humidity, %	0
Specific Gravity	1.000
Inlet Pressure, in. W.G.	-6.0
AMCA Arrangement No.	None
Motor Frequency, Hz	60
Start-Up Temperature, °F	70

Fan Selection and Specifications

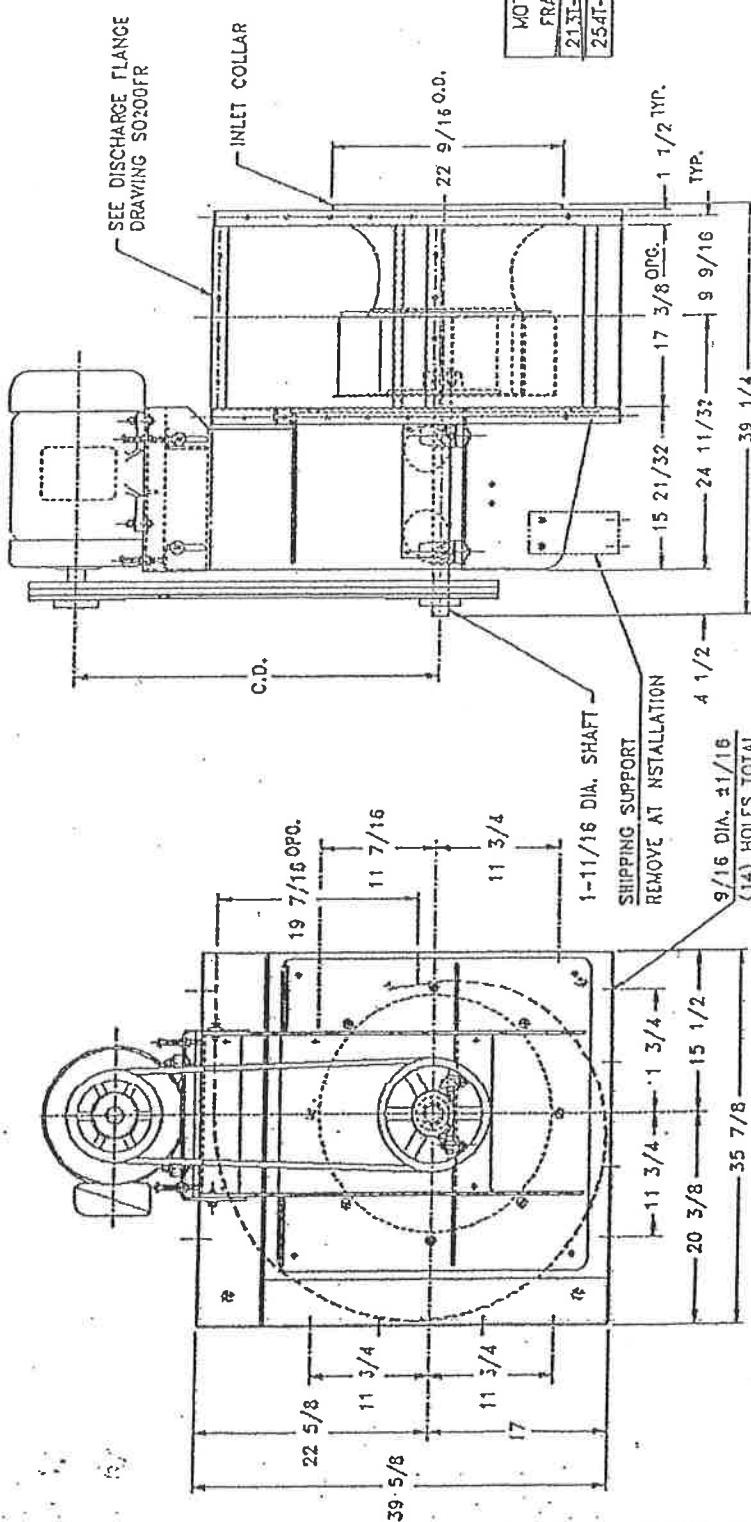
Model	SQBI-200
Fan RPM	2,150
Wheel Description	Steel SQBI-200
Wheel Width, %	100%
Wheel Diameter, in.	21.56
Inlet Diameter, in.	22.56
Outlet Velocity, ft./min.	2,849
Fan BHP	10.2
Static Efficiency, %	73.1%
Cold Start BHP	10.8
Construction Class	Class II

Performance Graph

Cincinnati Fan Model SQBI-200 with Steel SQBI-200 Wheel (Full Width) @ 2,150 RPM
Rating Point: 6,500 ACFM @ 6.0 in. WG SP, 0.0685 lb./ft.³ Density, 10.2 BHP



B0012648



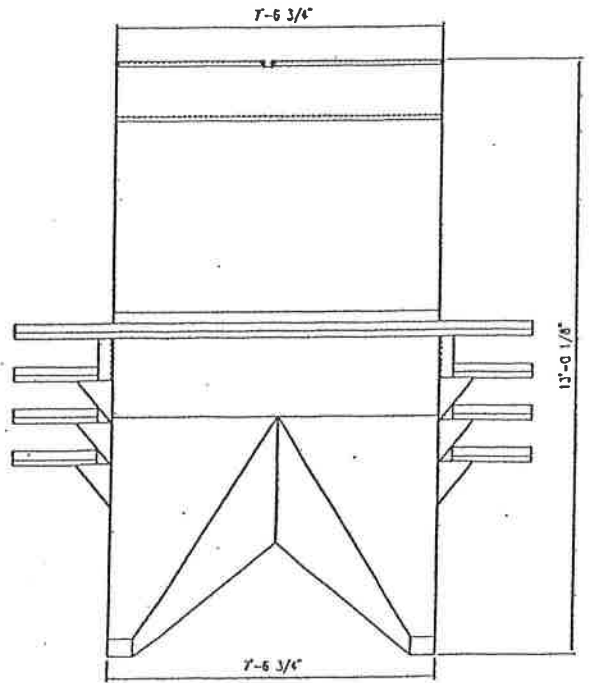
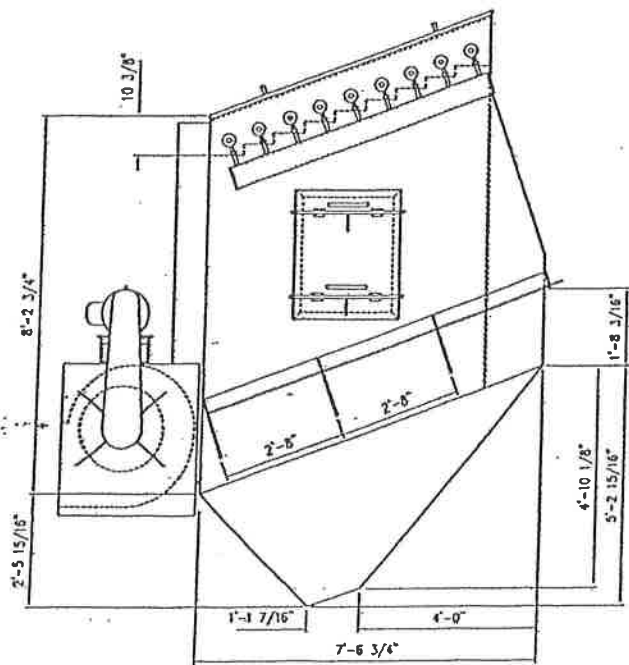
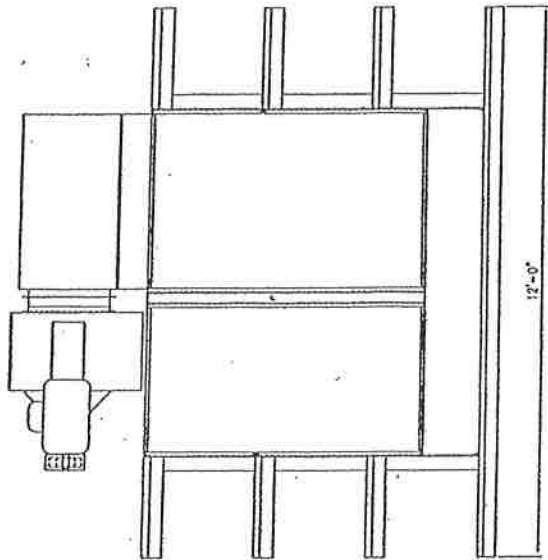
MOTOR FRAME	CENTER DISTANCE
	MIN. MAX.
213T-256T	34 38-7/16
254T-256T	35 37-7/16

- NOTES:
1. FANS ARE PAINTED GRAY.
 2. CLASS II CONSTRUCTION.
 3. MOTOR FRAME RANGE: 213T 256T.
 4. BELT GUARD BY OTHERS.

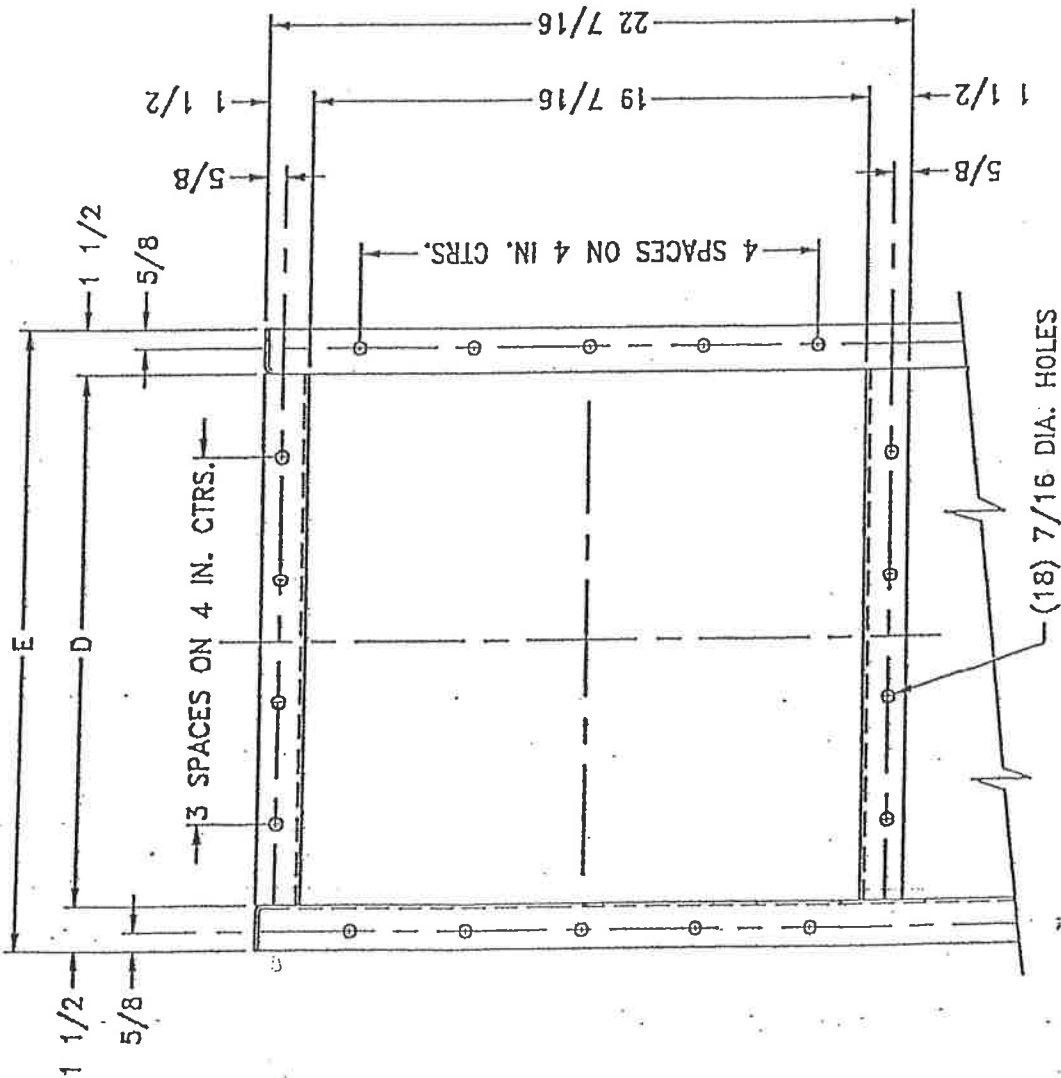
CLASS II, CLOCKWISE TOP HORIZONTAL DISCHARGE WITH 256T MOTOR SHOWN ABOVE.

cincoinnati fan 7897 SNIDER ROAD MASON, OHIO 45040	
SPECIAL SQBI-200 ARR. 9 FOR VINCE HAGAN	
TOLERANCES: ANGLES: ±1/2° FRACTIONS: 1/8 = 0.008 DECIMALS: 0.125 = 0.008 0.25 = 0.0125 ALL DIMENSIONS IN INCHES UNLESS OTHERWISE SPECIFIED	SCALE: FULL IN CAD DATE: 8/21/00 BY: JPC CHECK:
SUPERSEDES: SQBI20VH-800 SUPERSEDED BY:	MATERIAL:
NO. REV. DESCRIPTION	DATE INITIALS
REVISIONS	REV.
DRAWING NO. B0012648	SHEET 1 of 1

MODEL VH-1083JP INTRUSS DUST COLLECTOR



SQ200FR-698



DIMENSIONS IN INCHES ±1/8

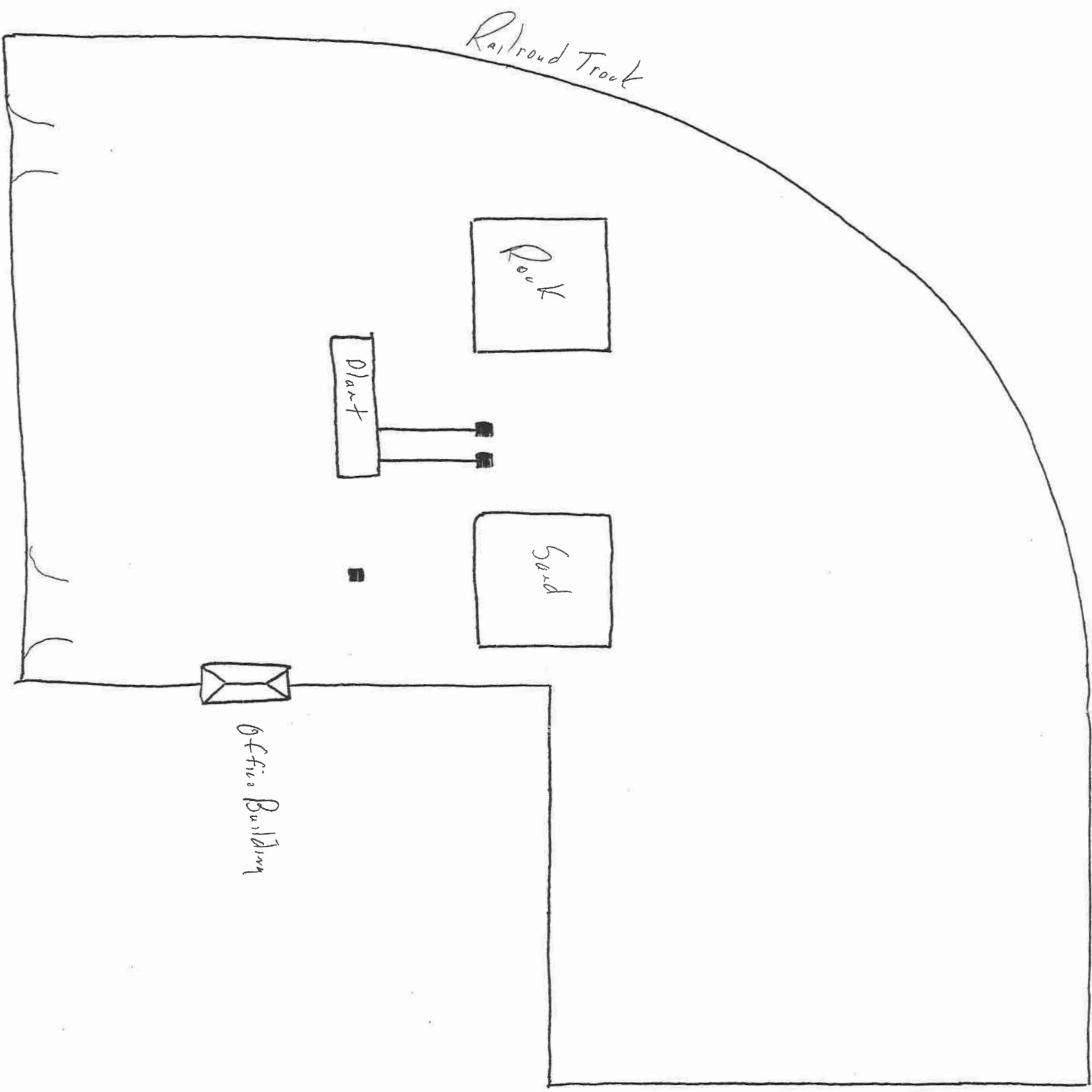
% WIDTH	D	E
100%	17-3/8	20-3/8
95%	17	20
90%	16-5/8	19-5/8
85%	16-1/4	19-1/4
80%	15-7/8	18-7/8
75%	15-1/2	18-1/2
70%	15-1/8	18-1/8
65%	14-3/4	17-3/4
60%	14-3/8	17-3/8
55%	14	17
50%	13-5/8	16-5/8
45%	13-1/4	16-1/4

cincinnati fan
 7697 SWIDER ROAD WAGON, OHIO 45040

TITLE
 SQBI-200 REDUCED FLOW
 DISCHARGE FLANGE DIMENSIONS

CERTIFIED BY:

DRAWING NO.
 SQ200FR-698



100'
| | | | |

97760 Alamax Drive
Texarkana, TX